

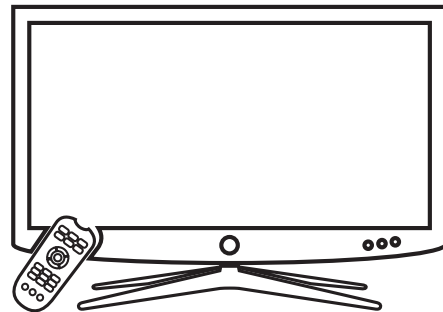
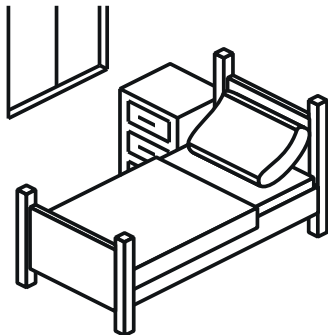
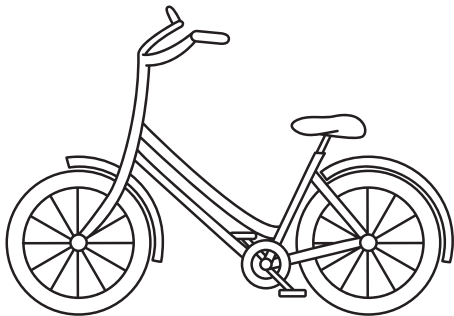
Needs and Wants

Resource 2.4

Needs are what we need to keep us alive.

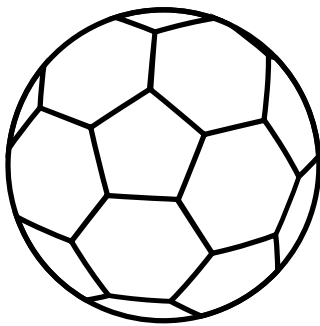
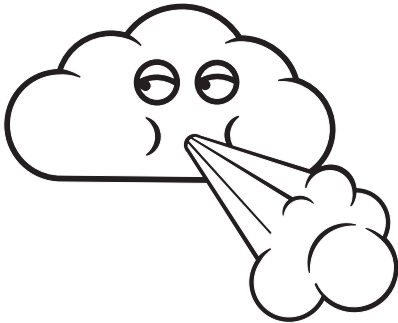
Wants are things we like or wish for, but don't need.

Look at each picture below and write down if it is a **need** or a **want**. Colour each picture in.



Needs and Wants

Resource 2.4



Needs and Wants

Resource 2.4

OBJECTS IN MY HOUSE

Think of all the objects in your house.

Draw Pictures of the objects you **NEED** to live.



Draw pictures of objects you **WANT**, but don't need.

