



General Certificate of Secondary Education

Construction and the Built Environment

Controlled Assessment Task

Unit 3: The Construction Craft Project

[GCN31]

VALID FROM MAY 2023

INSTRUCTIONS FOR THE CONTROLLED ASSESSMENT TASK

You must produce, using the drawings supplied and under controlled conditions:

- A construction craft project; and
- An evaluation of the craft project.

You should use a maximum of two **A3** or four **A4** pages for the evaluation.

INFORMATION FOR CANDIDATES

This unit carries a weighting of **25%**.

The total mark for this unit is **100**.

Quality of written communication will be assessed in the evaluation of the craft project.

You have a total of **20** hours to complete: **2** hours for an evaluation and **18** hours for the production of the craft project.

Candidate's work to be submitted **May 2024/2025/2026**

Controlled Assessment Tasks must comply with the Regulations as detailed in the Subject Specification.

NB: Some instructions for Controlled Assessment Tasks may constitute more than 1 page.

Please check that you have all the information you need to complete the task if printing from a computer.

Instructions for Teachers and Candidates

This unit is compulsory for all students. Candidates have **20** hours to complete the construction craft project and an evaluation of the craft project. It carries a weighting of **25%**. The task enables students to demonstrate their capability in constructing a craft-based project under controlled conditions.

Centres select the task that is best suited to their needs.

Candidates are expected to produce:

- A construction craft project; and
- An evaluation of the craft project.

The tasks are based on:

- Woodwork.

The Construction Craft Project and Evaluation

Candidates are expected to produce a construction craft project using one of the above crafts. Candidates will be awarded marks as follows for the construction craft project:

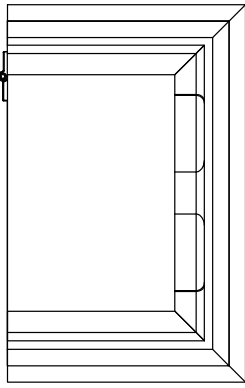
| Unit 2: The Construction Craft Project | Control level | Time allocation | Marks |
|--|----------------------|------------------------|--------------|
| <i>Craft Product</i> Marks are awarded for the craft project under three headings: | Informal supervision | 18 hours | |
| • Accuracy within tolerance | | | [20] |
| • The range of joints, components and processes involved and accuracy of assembly | | | [50] |
| • Quality of finish | | | [20] |
| • Evaluation of the completed product and a self-evaluation of the candidate's performance during the project. | | 2 hours | [10] |
| Total Marks | | | [100] |

Task 1

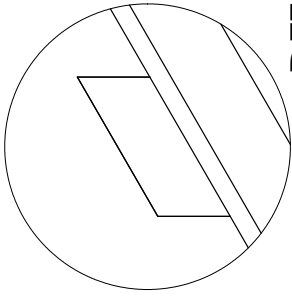
Clock Design

Tolerance (T) +/- 2mm
 All Dimensions in millimetres
 Tolerances are marked with a T.
 Corners can be rounded
 at the centre's discretion.

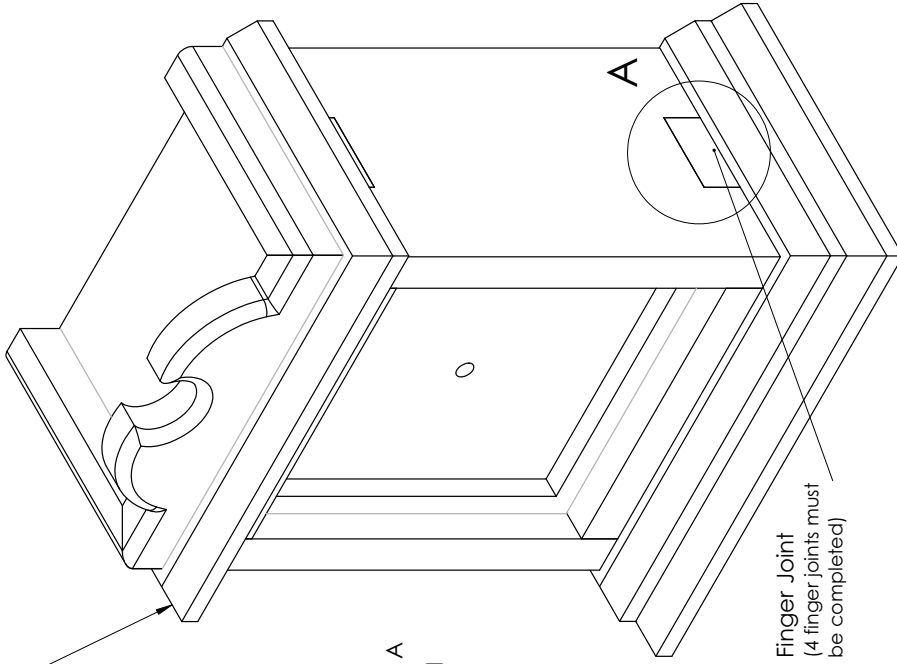
Chamfers and joints at the centre's discretion



Design at the centre's discretion
 Design must be symmetrical



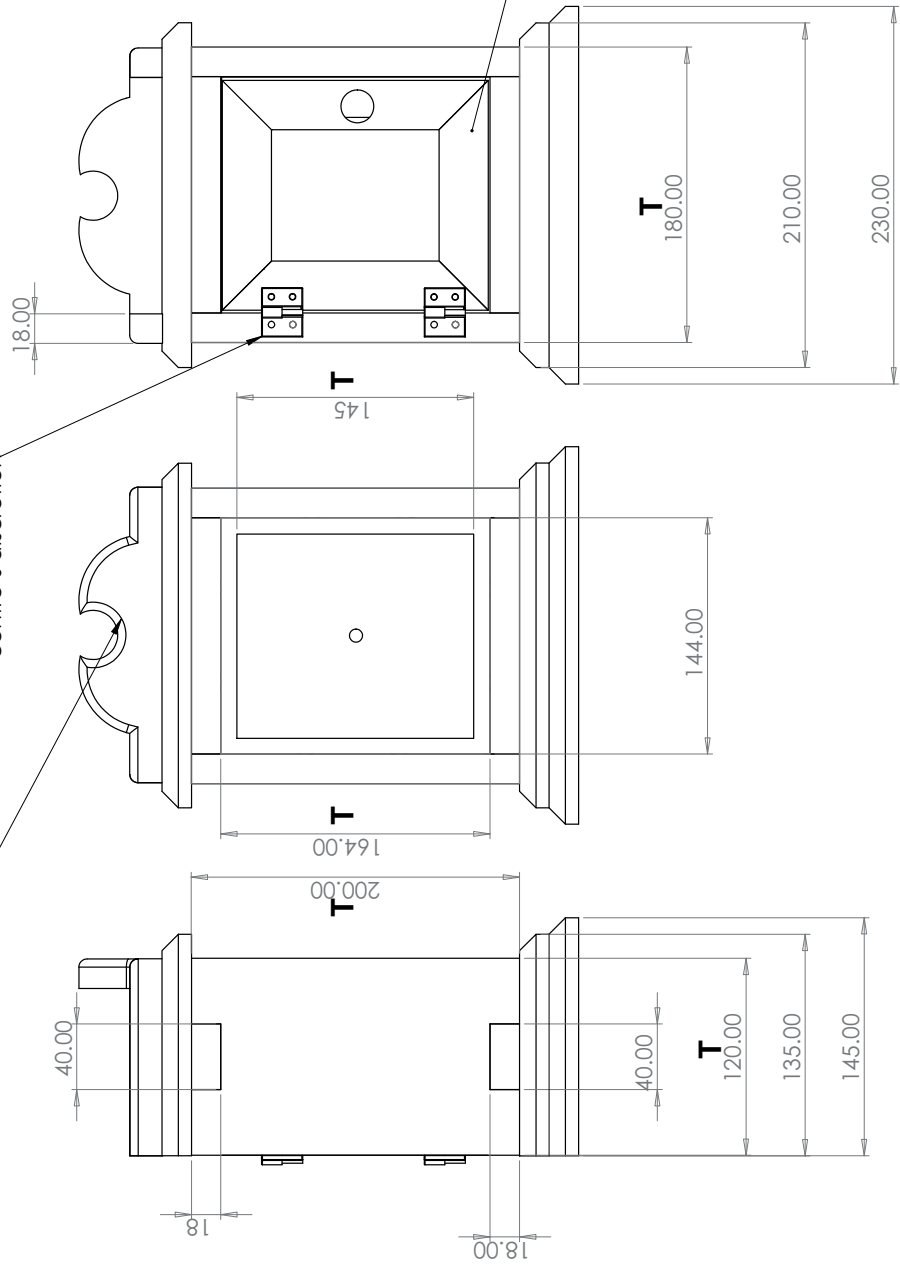
DETAIL A
 SCALE 1 : 1



Finger Joint
 (4 finger joints must
 be completed)

Door must be a frame.
 The design of the frame
 for the door is at the
 centre's discretion.

Hinges at the
 centre's discretion



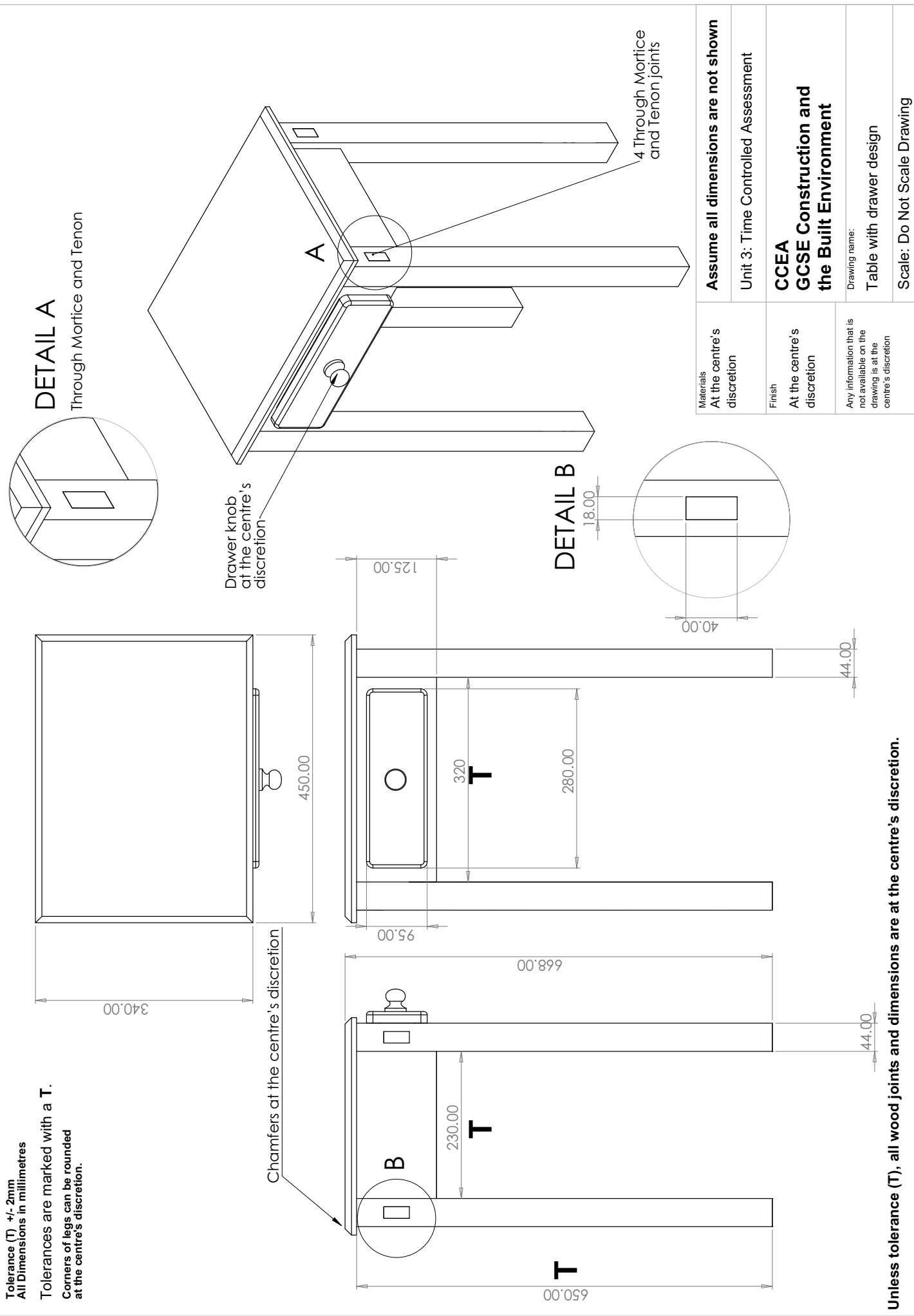
| | |
|---|---|
| Materials Wood, hinges fixtures and fittings are at the centre's discretion | Assume all dimensions are not shown |
| Finish At the centre's discretion | Unit 3: Time Controlled Assessment |
| Any information that is not available on the drawing is at the centre's discretion | CCEA GCSE Construction and the Built Environment |
| Drawing name: Clock Design | |
| Scale: Do Not Scale Drawing | |

Unless tolerance (T), all wood joints and dimensions are at the centre's discretion.

Task 2

Table with drawer design

Tolerance (T) +/- 2mm
 All Dimensions in millimetres
 Tolerances are marked with a T.
 Corners of legs can be rounded
 at the centre's discretion.



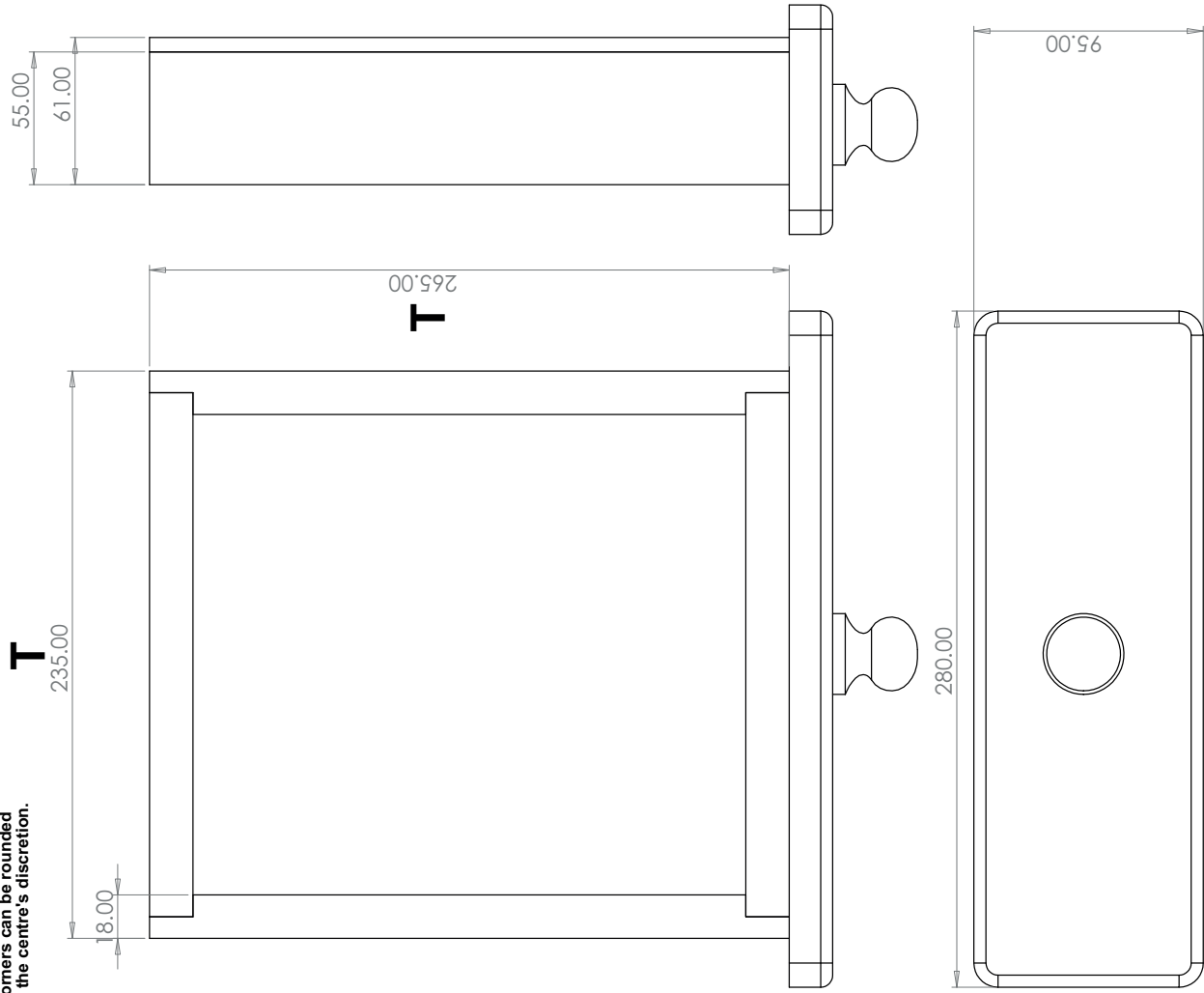
| | | |
|--|---|--|
| Materials At the centre's discretion | Assume all dimensions are not shown | |
| Finish At the centre's discretion | Unit 3: Time Controlled Assessment | |
| Any information that is not available on the drawing is at the centre's discretion | CCEA GCSE Construction and the Built Environment | |
| | Drawing name: Table with drawer design | |
| Scale: Do Not Scale Drawing | | |

Unless tolerance (T), all wood joints and dimensions are at the centre's discretion.

Tolerance (T) +/- 2mm
All Dimensions in millimetres

Tolerances are marked with a **T**.

Corners can be rounded
at the centre's discretion.



DRAWER KNOB AT THE CENTRE'S DISCRETION

Drawer joints at the centre's discretion

| | |
|--|--|
| Materials | Assume all dimensions are not shown |
| At the centre's discretion | Unit 3: Time Controlled Assessment |
| Finish | CCEA |
| At the centre's discretion | GCSE Construction and the Built Environment |
| Any information that is not available on the drawing is at the centre's discretion | Drawing name: DRAWER DESIGN TABLE DESIGN 2 |
| | Scale: Do Not Scale Drawing |

Unless tolerance (T), all wood joints and dimensions are at the centre's discretion.

