



*Rewarding Learning*

**General Certificate of Secondary Education**

---

## **Construction and the Built Environment**

### **Controlled Assessment Task**

#### **Unit 3: The Construction Craft Project**

**[GCN31]**

**VALID FROM MAY 2019**

---

#### **INSTRUCTIONS FOR THE CONTROLLED ASSESSMENT TASK**

You must produce, using the drawings supplied and under controlled conditions:

- A construction craft project; and
- An evaluation of the craft project.

You should use a maximum of two **A3** or four **A4** pages for the evaluation.

#### **INFORMATION FOR CANDIDATES**

This unit carries a weighting of **25%**.

The total mark for this unit is **100**.

Quality of written communication will be assessed in the evaluation of the craft project.

You have a total of **20** hours to complete: **2** hours for an evaluation and **18** hours for the production of the craft project.

**Candidate's work to be submitted May 2020/21/22**

Controlled Assessment Tasks must comply with the Regulations as detailed in the Subject Specification.

NB: Some instructions for Controlled Assessment Tasks may constitute more than 1 page.

Please check that you have all the information you need to complete the task if printing from a computer.

## Instructions for Teachers and Candidates

This unit is compulsory for all students. Candidates have **20** hours to complete the construction craft project and an evaluation of the craft project. It carries a weighting of **25%**. The task enables students to demonstrate their capability in constructing a craft-based project under controlled conditions.

Centres select the task that is best suited to their needs.

Candidates are expected to produce:

- A construction craft project; and
- An evaluation of the craft project.

The tasks are based on the following crafts:

- Woodwork;
- Brickwork or blockwork;

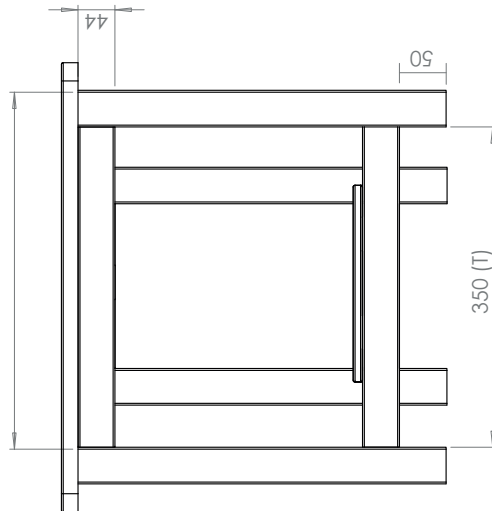
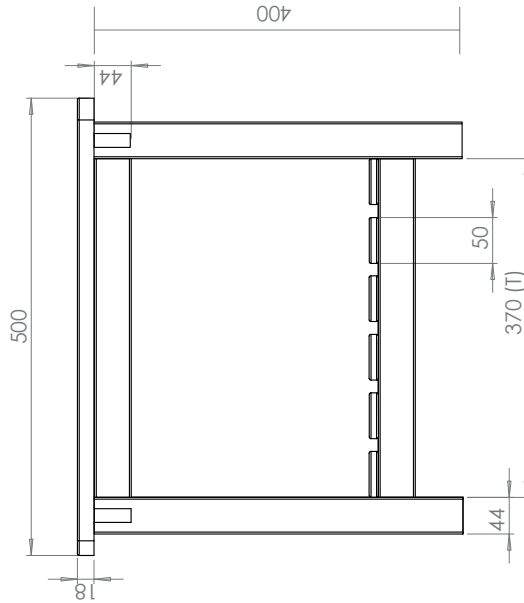
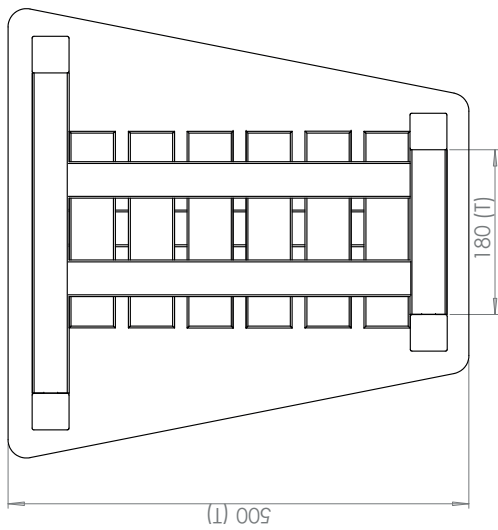
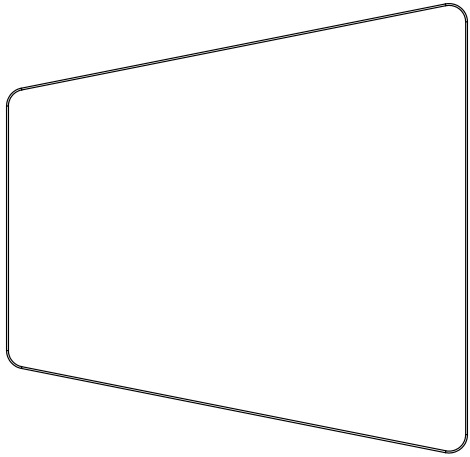
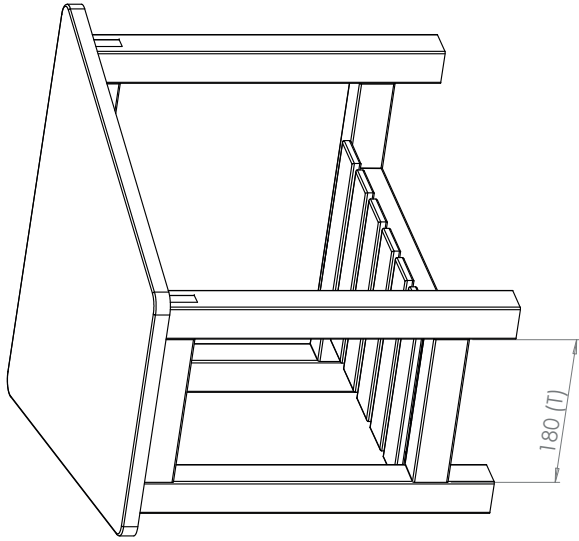
## The Construction Craft Project and Evaluation

Candidates are expected to produce a construction project using one of the above crafts. Candidates will be awarded marks as follows for the construction craft project:

Unit 2: The Construction Craft Project	Control level	Time allocation	Marks
<i>Craft Product</i> Marks are awarded for the craft project under three headings:	Informal supervision	18 hours	
• Accuracy within tolerance			[20]
• The range of joints, components and processes involved and accuracy of assembly			[50]
• Quality of finish			[20]
• Evaluation of the completed product and a self-evaluation of the candidate's performance during the project.		2 hours	[10]
<b>Total Marks</b>			<b>[100]</b>

# **Task 1**

## **Table**



4 Through Bridle Joints must be completed by the candidates.  
Wood joints not specified are at the centre's discretion.

FINISH: At the Centre's Discretion	<b>Assume all dimensions are not shown</b> Unit 3 Time Controlled Assessment
MATERIALS: At the Centre's Discretion	TITLE: CCEA GCSE Construction and the Built Environment
	DWG NO. Table D1
	SCALE: DO NOT SCALE DRAWING
	SHEET 1 OF 1

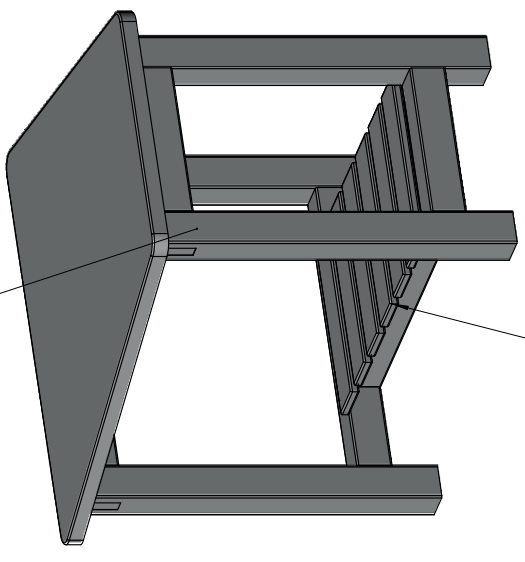
Measurements that are not specified are at the discretion of the centre.

Tolerance (T) +/-2mm  
All Dimensions in Millimetres

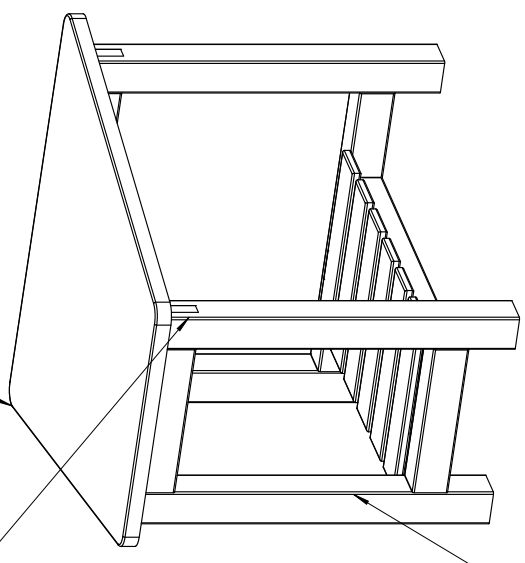
All corners can be rounded or a solid edge fitted at the centre's discretion

4 Through bridge joints must be completed by the candidate

All legs are 44mm PAR



All boards spaced equally and are fitted at the centre's discretion



All corners can be rounded at the centre's discretion

4 Through Bridge Joints must be completed by the candidates.  
Wood joints not specified are at the centre's discretion.

FINISH: At the Centre's Discretion	Assume all dimensions are not shown
MATERIALS: At the Centre's Discretion	Unit 3 Time Controlled Assessment
	TITLE: CCEA
	GCSE Construction and the Built Environment
	DWG NO. Table D2
SCALE: DO NOT SCALE DRAWING	
SHEET 1 OF 1	

All legs are 44mm PAR

4 Through bridle joints must be completed by the candidate

All corners can be rounded or a solid edge fitted at the centre's discretion

All corners can be rounded at the centre's discretion

All boards spaced equally and are fitted at the centre's discretion

4 Through Bridle Joints must be completed by the candidates.  
Wood joints not specified are at the centre's discretion.

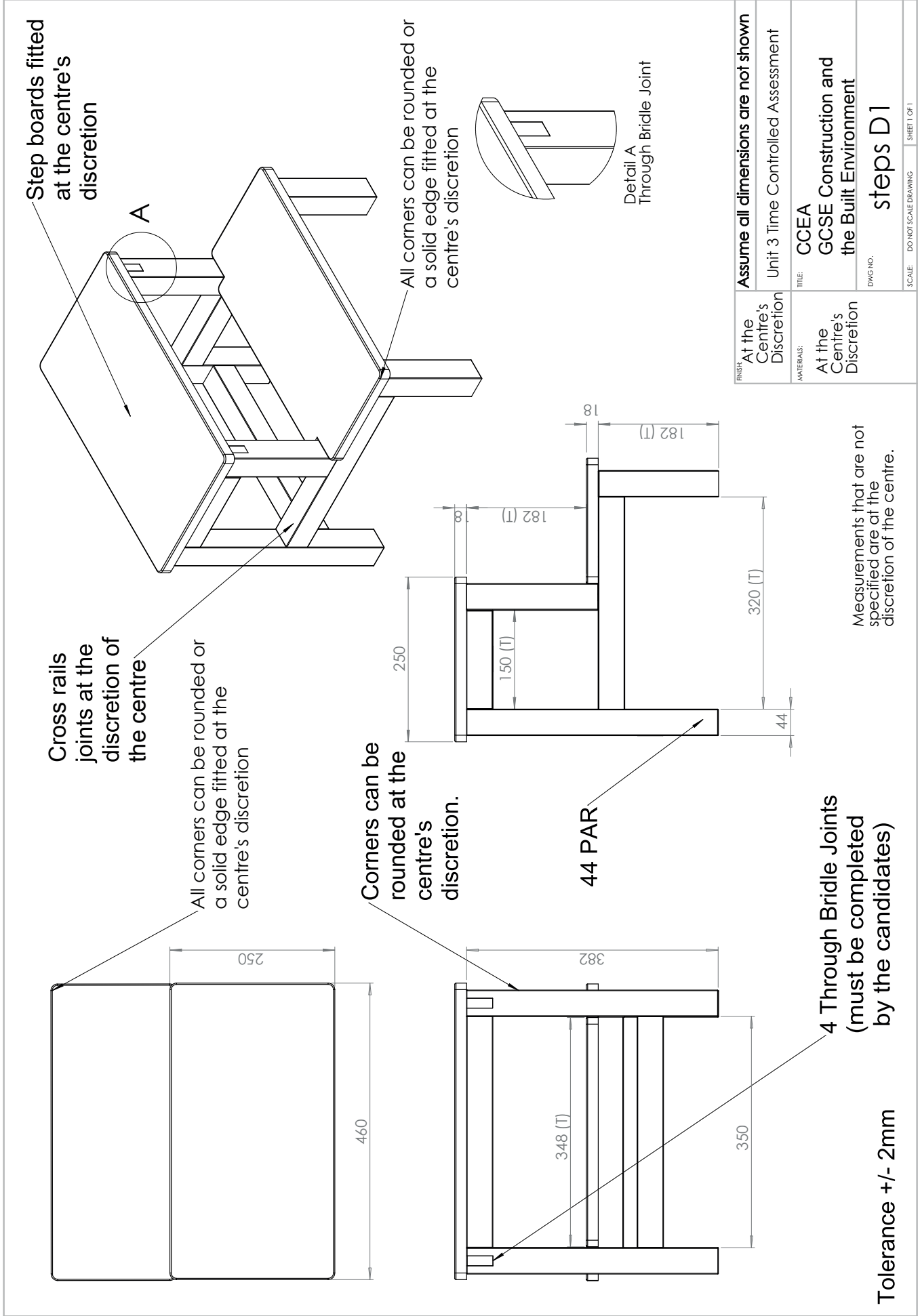
Measurements that are not specified are at the discretion of the centre.

**Tolerance (T) +/-2mm  
All Dimensions in Millimetres**

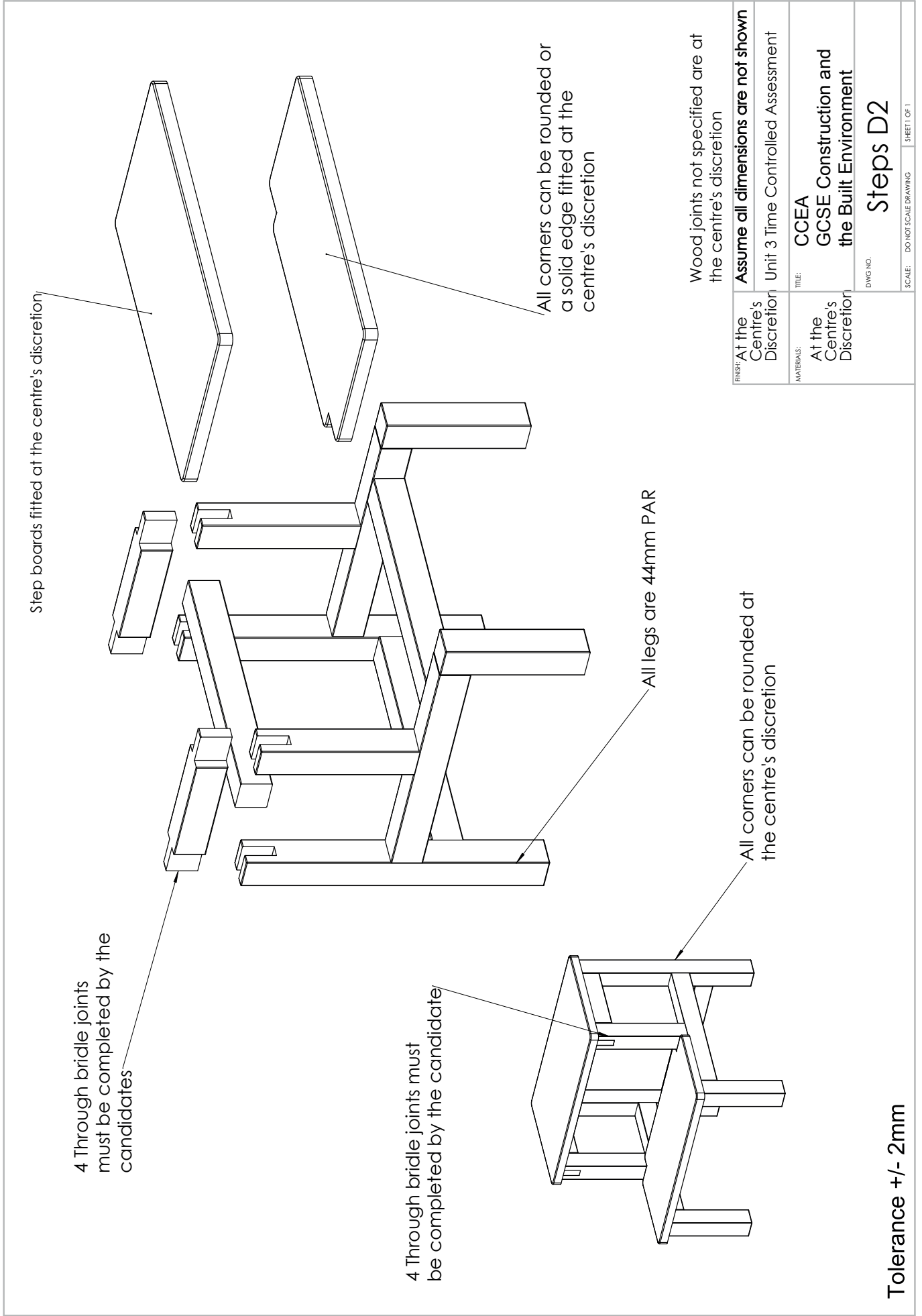
FINISH:	At the Centre's Discretion	Assume all dimensions are not shown Unit 3 Time Controlled Assessment
MATERIALS:	At the Centre's Discretion	
TITLE:		CCEA GCSE Construction and the Built Environment
DWG NO.:		Table D3
SCALE:		DO NOT SCALE DRAWING SHEET 1 OF 1

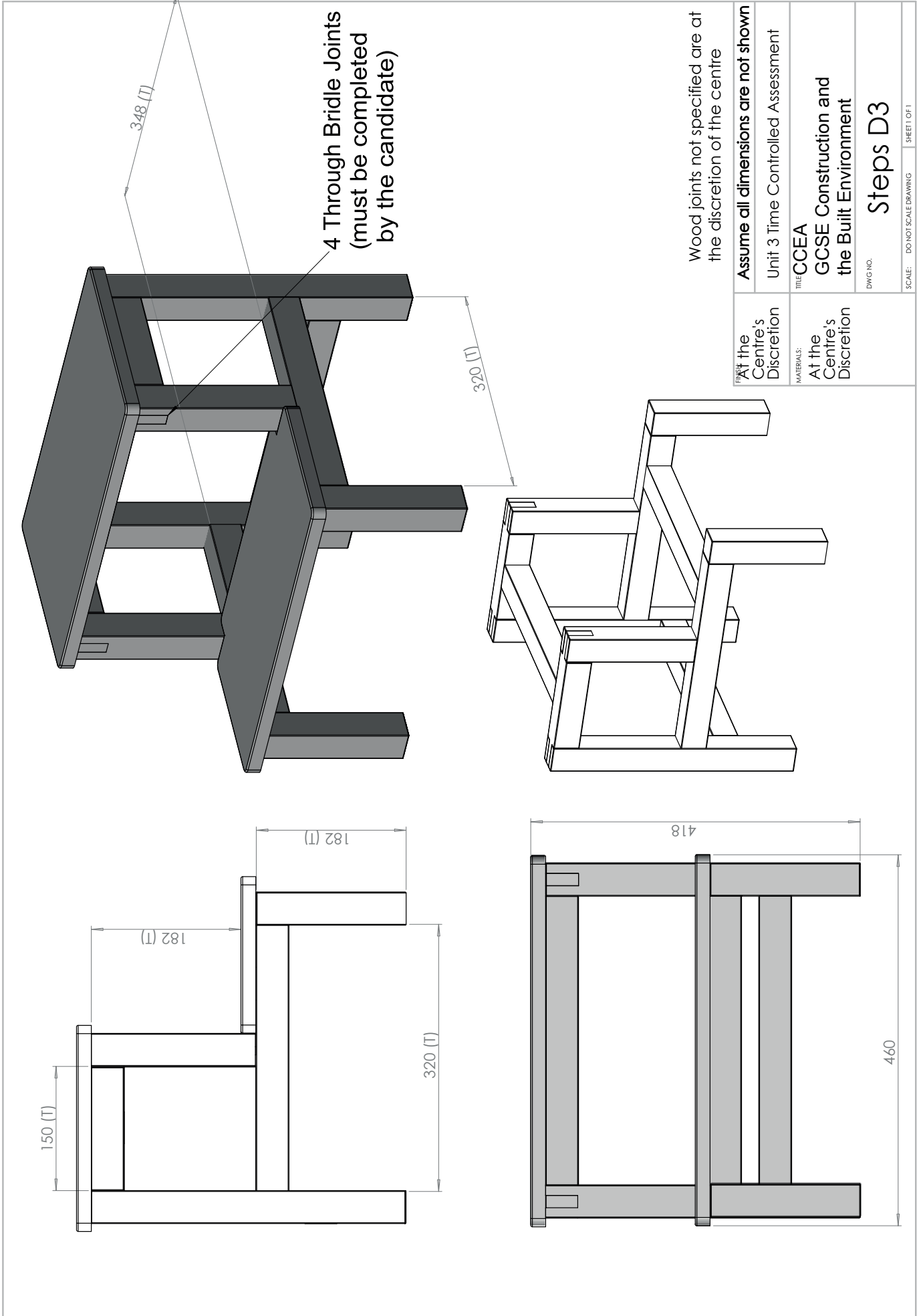
## **Task 2**

### **Steps**





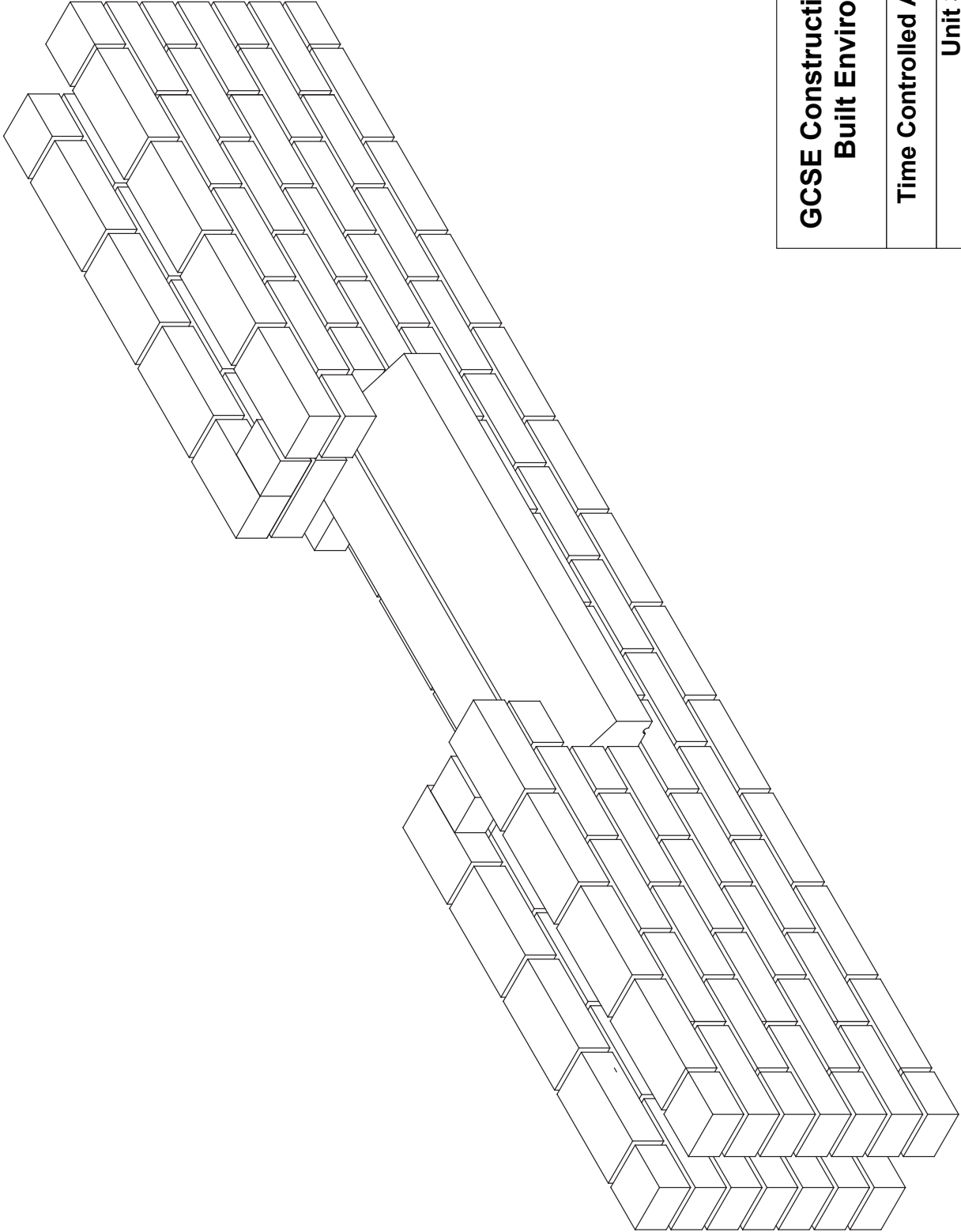




FINISH: At the Centre's Discretion	Unit 3 Time Controlled Assessment
MATERIALS: At the Centre's Discretion	<b>CCEA</b> GCSE Construction and the Built Environment
	DWG NO. <b>Steps D3</b>
	SCALE: DO NOT SCALE DRAWING SHEET 1 OF 1

# **Task 3**

## **Brickwork**

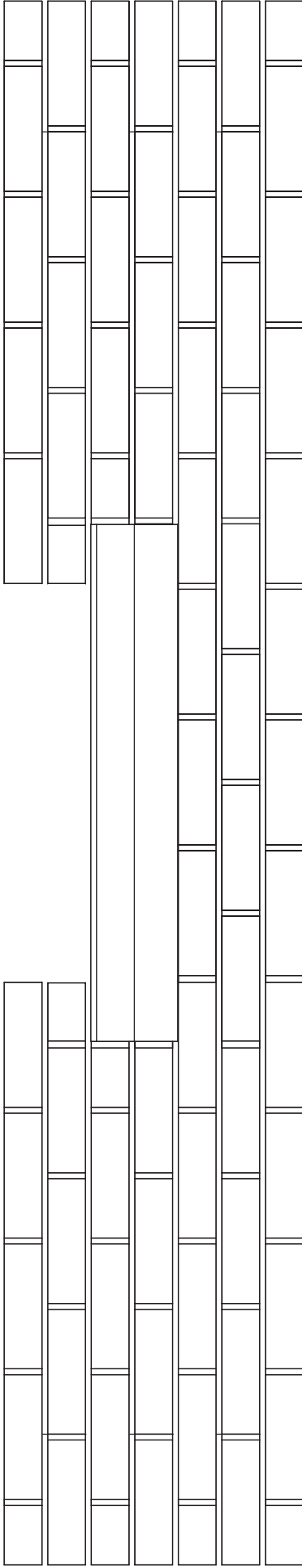


**GCSE Construction and the  
Built Environment**

**Time Controlled Assessment**

**Unit 3**

**Construction Craft Project  
Brickwork  
3D view (opening)**



**Wall construction**

**12 bricks long (2690 mm) (T)**

**7 courses high (525 mm) (T)**

**Facing brickwork on the outside**

**100 mm cavity (T)**

**Finished with 10 mm pole joints**

**Common brickwork to inner skin**

**Window opening 685 mm (T) wide and 170 mm (T) high**

**DPC to be placed at window opening**

**Cavity wall ties to BS standard.**

**(T) = +/- 20 mm**

**GCSE Construction and the  
Built Environment**

**Time Controlled Assessment**

**Unit 3**

**Construction Craft Project  
Brickwork**

**Not to Scale**