



Rewarding Learning

General Certificate of Secondary Education

2024

Further Mathematics

Unit 4

Discrete and Decision Mathematics

[GFM41]

FRIDAY 21 JUNE, MORNING

**MARK
SCHEME**

General Marking Instructions

Introduction

The mark scheme normally provides the most popular solution to each question. Other solutions given by candidates are evaluated and credit given as appropriate; these alternative methods are not usually illustrated in the published mark scheme.

The marks awarded for each question are shown in the right hand column and they are prefixed by the letters **M**, **W** and **MW** as appropriate. The key to the mark scheme is given below:

M indicates marks for correct method.

W indicates marks for accurate working, whether in calculation, reading from tables, graphs or answers.

MW indicates marks for combined method and accurate working.

Assessment Objectives

Below are the assessment objectives for GCSE Further Mathematics.

Use and apply standard techniques (AO1)

Candidates should be able to:

- accurately recall facts, terminology and definitions;
- use and interpret notation correctly; and
- accurately carry out routine procedures or set tasks requiring multi-step solutions.

Reason, interpret and communicate mathematically (AO2)

Candidates should be able to:

- make deductions, inferences and draw conclusions from mathematical information;
- construct chains of reasoning to achieve a given result;
- present arguments and proofs; and
- assess the validity of an argument and critically evaluate a given way of presenting information.

Solve problems within mathematics and in other contexts (AO3)

Candidates should be able to:

- translate problems in mathematical or non-mathematical contexts into a process or a series of mathematical processes;
- make and use connections between different parts of mathematics;
- interpret results in the context of the given problem;
- evaluate methods used and results obtained; and
- evaluate solutions to identify how they may have been affected by assumptions made.

A later part of a question may require a candidate to use an answer obtained from an earlier part of the same question. A candidate who gets the wrong answer to the earlier part and goes on to the later part is naturally unaware that the wrong data is being used and is actually undertaking the solution of a parallel problem from the point at which the error occurred. If such a candidate continues to apply correct method, then the candidate's individual working must be **followed through** from the error. If no further errors are made, then the candidate is penalised only for the initial error. Solutions containing two or more working or transcription errors are treated in the same way. This process is usually referred to as "follow-through marking" and allows a candidate to gain credit for that part of a solution which follows a working or transcription error.

It should be noted that where an error trivialises a question, or changes the nature of the skills being tested, then as a general rule, it would be the case that not more than half the marks for that question or part of that question would be awarded; in some cases the error may be such that no marks would be awarded.

Positive marking:

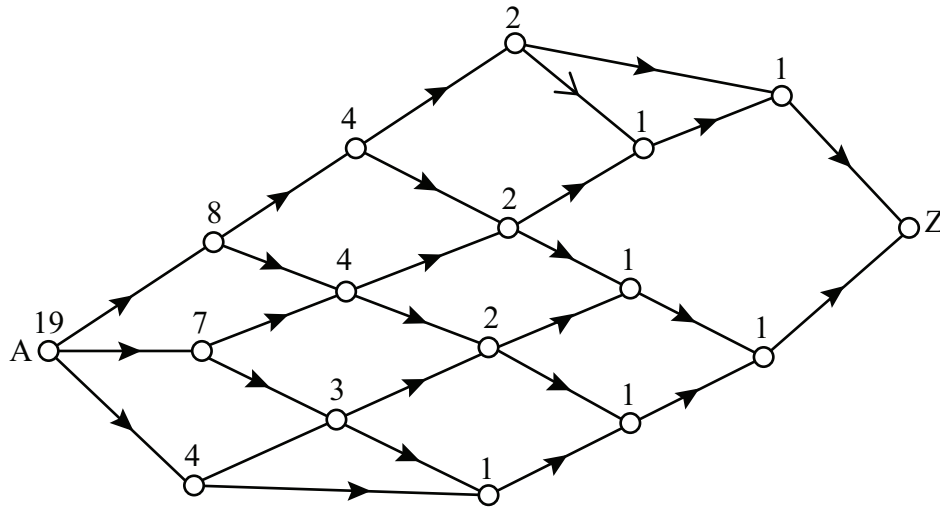
It is our intention to reward candidates for any demonstration of relevant knowledge, skills or understanding. For this reason we adopt a policy of **following through** their answers, that is, having penalised a candidate for an error, we mark the succeeding parts of the question using the candidate's value or answers and award marks accordingly.

Some common examples of this occur in the following cases:

- (a) a numerical error in one entry in a table of values might lead to several answers being incorrect, but these might not be essentially separate errors;
- (b) readings taken from candidates' inaccurate graphs may not agree with the answers expected but might be consistent with the graphs drawn.

When the candidate misreads a question in such a way as to make the question easier, only a proportion of the marks will be available (based on the professional judgement of the examiner).

1 The number of possible routes from each vertex is shown below.



Number of possible routes from A to Z = 19

M1 W2

3

2 (i) $x \geq 6$

W1

(ii) $10x + 8y \leq 176$

W1

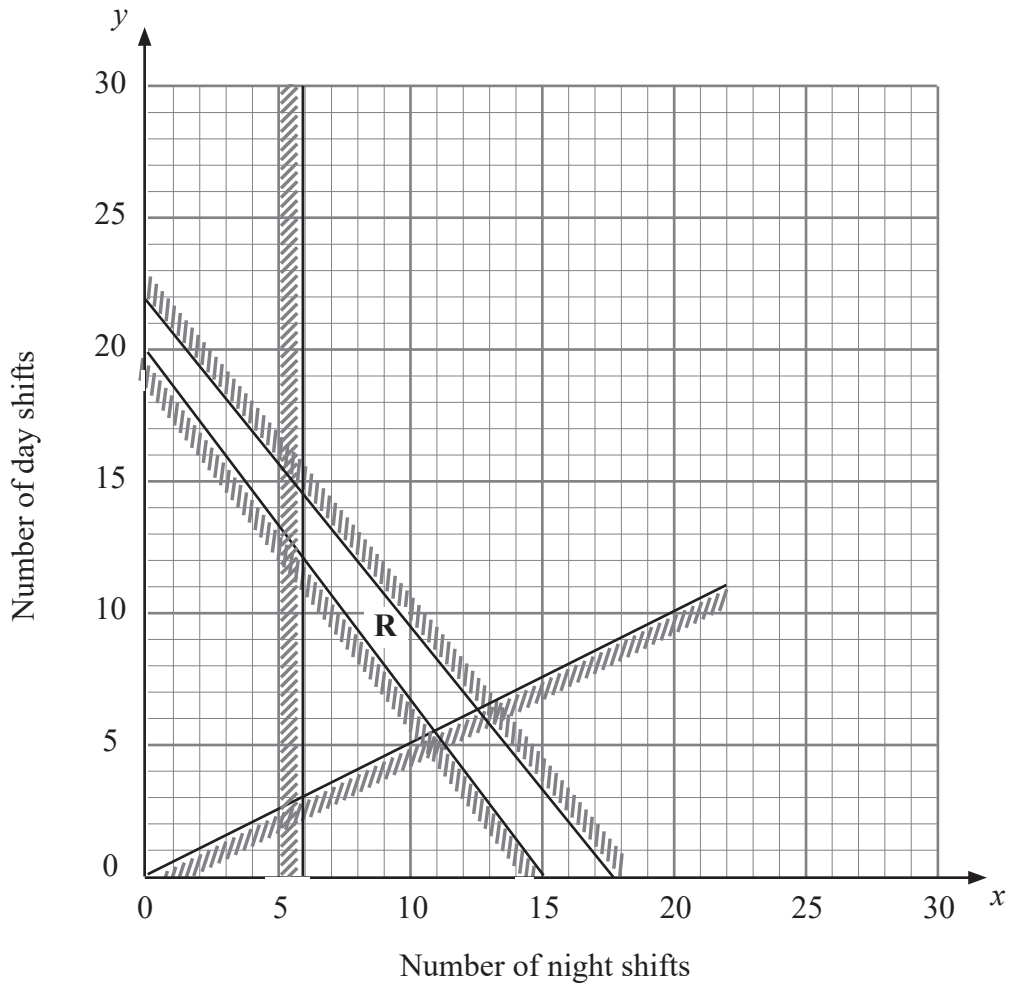
$5x + 4y \leq 88$

(iii) $96x + 72y \geq 1440$

W1

$4x + 3y \geq 60$

(iv)



(Line at $x = 6$ and correct side shaded) MW1

(Line through $(0, 22)$ and $(16, 2)$ and correct side shaded) MW1

(Line through $(0, 20)$ and $(15, 0)$ and correct side shaded) MW1

(Line through $(0, 0)$ and $(20, 10)$ and correct side shaded) MW1

(v) Feasible points are $(9, 8)$, $(10, 7)$ and $(11, 6)$ M1

All have minimum number of shifts = 17 W1

(vi) Points $(6, 12)$ and $(9, 8)$ give £1440 per month. M1

$$(6, 12) \rightarrow 6 \times 10 + 12 \times 8 = 156 \text{ hours}$$

$$(9, 8) \rightarrow 9 \times 10 + 8 \times 8 = 154 \text{ hours}$$

Minimum number of hours = 154 W1

(vii) Point $(12, 7)$, which gives $12 \times 96 + 7 \times 72 = £1656$ M1 W1

AVAILABLE
MARKS

13

3 (i) Use five-point moving averages.

M1

52

54

58 53.2

53 52.4

49 51.6

48 51

50 50.2

55 49.4

49 48.6

45 48

44 47.2

47 46.2

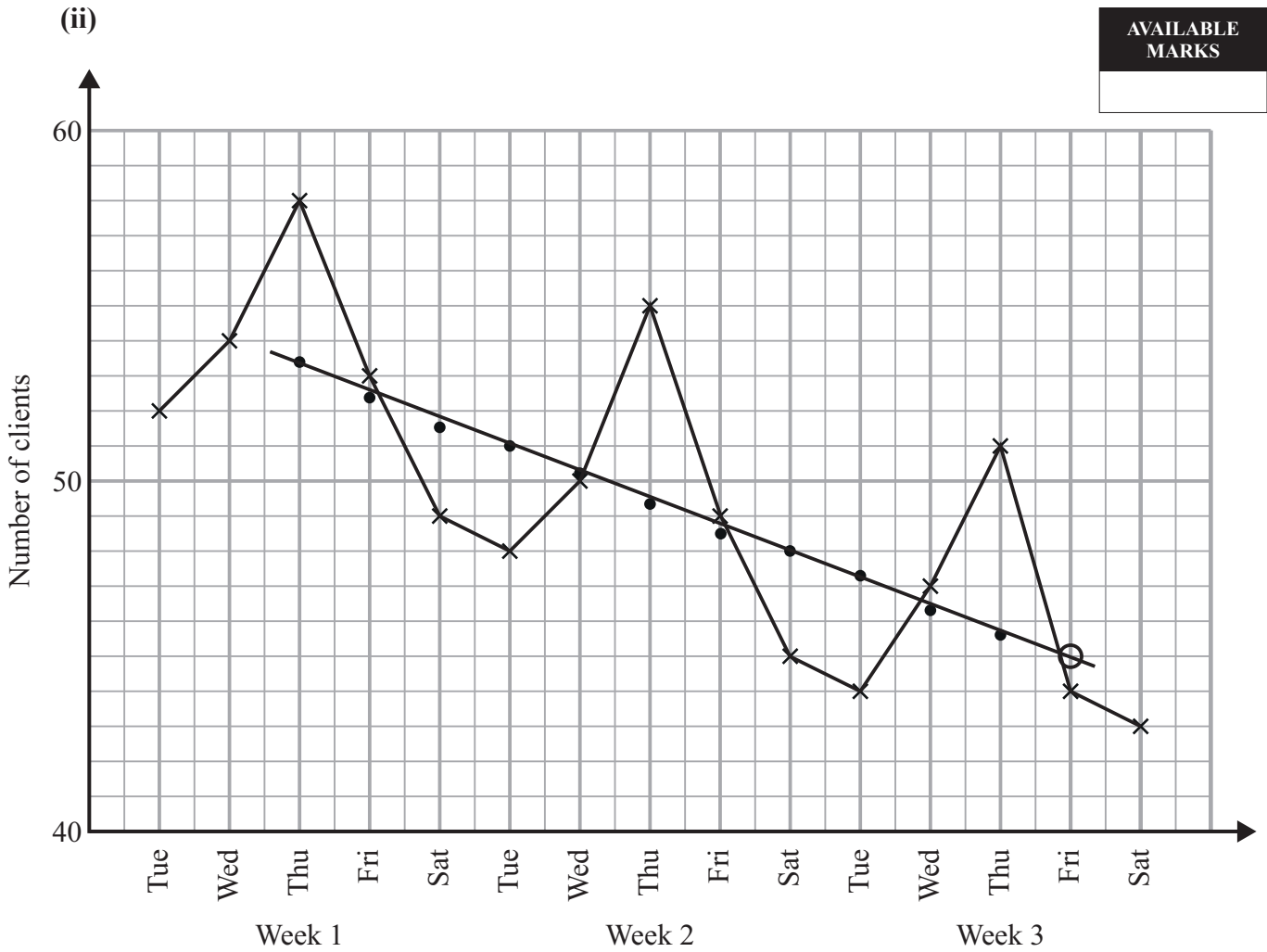
51 45.8

44

43

W1

AVAILABLE
MARKS



(Set) M2

(Line) W1

(iii) Let x = estimate of number of clients

$$\frac{47 + 51 + 44 + 43 + x}{5} = 45$$

M1 W1

$$x = 40$$

W1

(iv) Assume that current downward trend will continue.

M1

9

4 (i)

p	q	p or q	NOT (p or q)	NOT p	NOT q	(NOT p) and (NOT q)
T	T	T	F	F	F	F
T	F	T	F	F	T	F
F	T	T	F	T	F	F
F	F	F	T	T	T	T

MW5

$$p \text{ NOR } q \equiv \text{NOT } (p \text{ or } q) \equiv (\text{NOT } p) \text{ and } (\text{NOT } q)$$

(ii) NOT ((NOT a) and (NOT b))

MW2

(iii) NOT ((NOT a) and (NOT b))

$$\equiv \text{NOT } (\text{NOT } (a \text{ or } b))$$

$$\equiv a \text{ or } b$$

M1 W1

“Alain plays table-tennis or Brian likes ice cream”

W1

10

5 (i) For 4 subjects, student picks one from column A, one from column B and two from column C.

This may be done in $5 \times 6 \times {}_9C_2 = 5 \times 6 \times 36 = 1080$ ways.

MW1

(ii) A student who wishes to study 3 subjects may pick:

One from columns A, B and C in $5 \times 6 \times 9 = 270$ ways,

M1

or

one from column A and two from column C in $5 \times {}_9C_2$

$$= 5 \times 36 = 180 \text{ ways,}$$

M1

or

one from column B and two from column C in $6 \times {}_9C_2$

$$= 6 \times 36 = 216 \text{ ways.}$$

M1

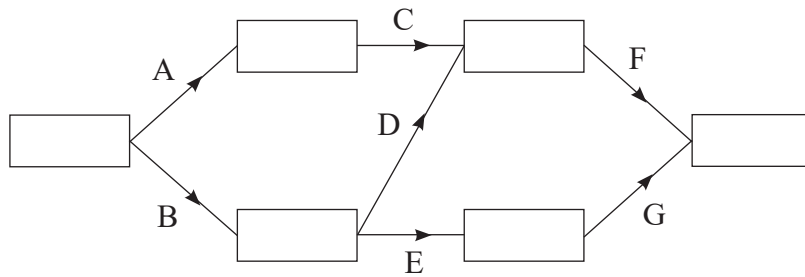
Number of combination of 3 subjects = $270 + 180 + 216 = 666$

W1

5

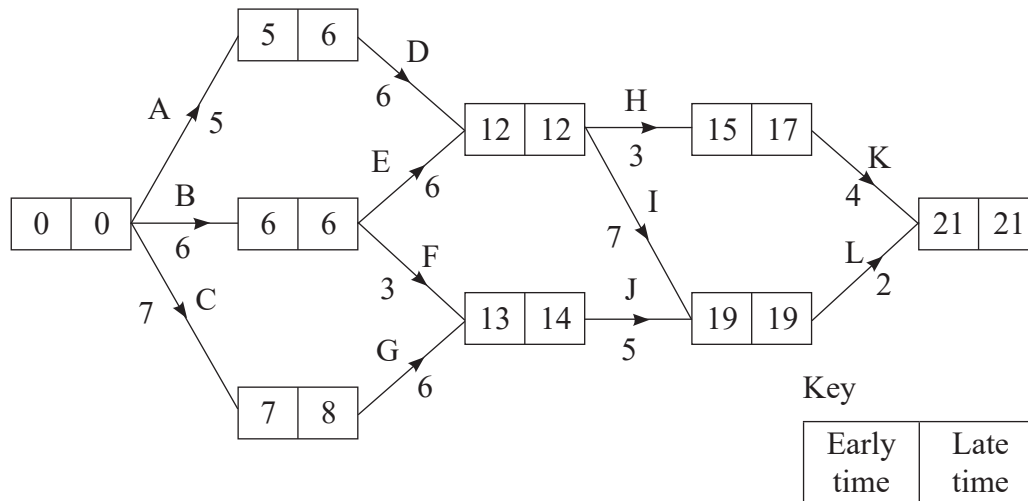
AVAILABLE
MARKS

6 (a)



M1 W1

(b) (i)



(Early times) M1 W2

(Late times) M1 W2

(ii) Critical activities: B, E, I, L

MW1

Length of critical path = 21 days

MW1

10

Total

50