



Rewarding Learning

General Certificate of Secondary Education

2023

Engineering and Manufacturing

Unit 2

assessing

Production

[GEM21]

TUESDAY 9 MAY, MORNING

TIME

3 hours.

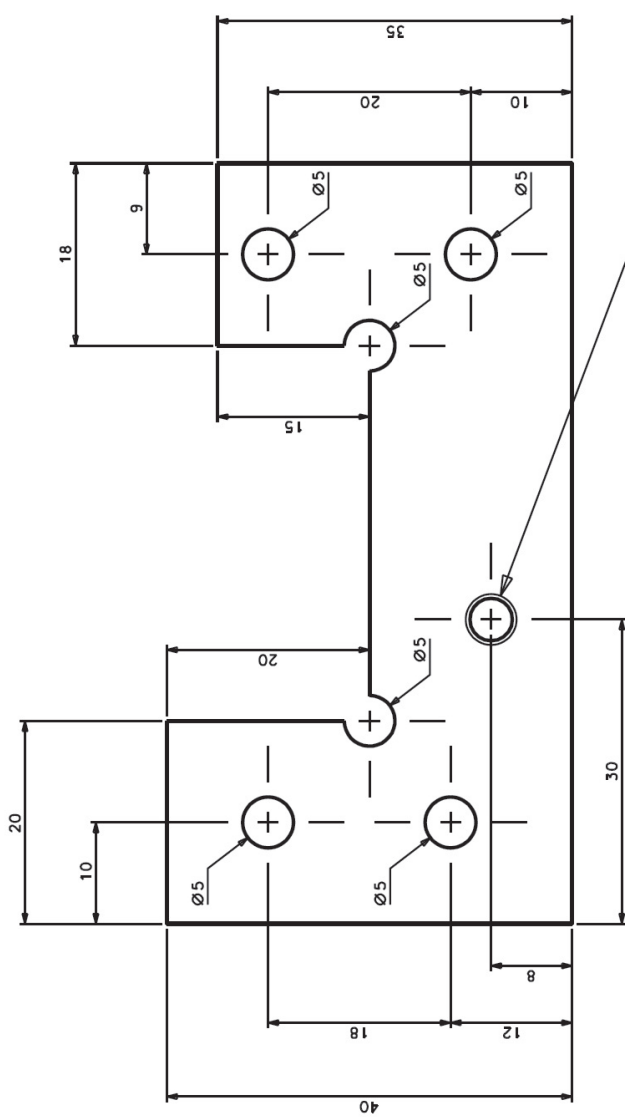
INSTRUCTIONS TO CANDIDATES

Candidates are expected to complete **all** parts of the manufacturing task from the drawings supplied using the equipment and the materials provided by the centre.

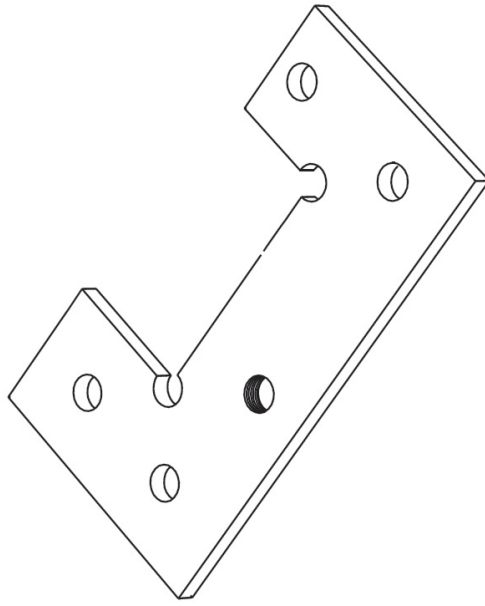
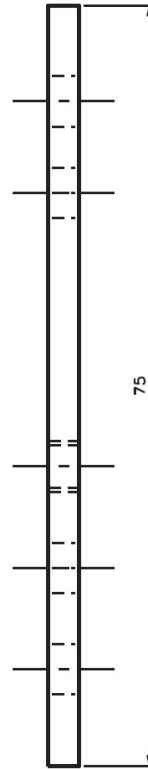
Candidates are advised to spend the first 10 minutes reading the drawings.
Candidates must apply Health and Safety procedures at all times.

INFORMATION FOR CANDIDATES

The total mark for this practical examination is **100**.



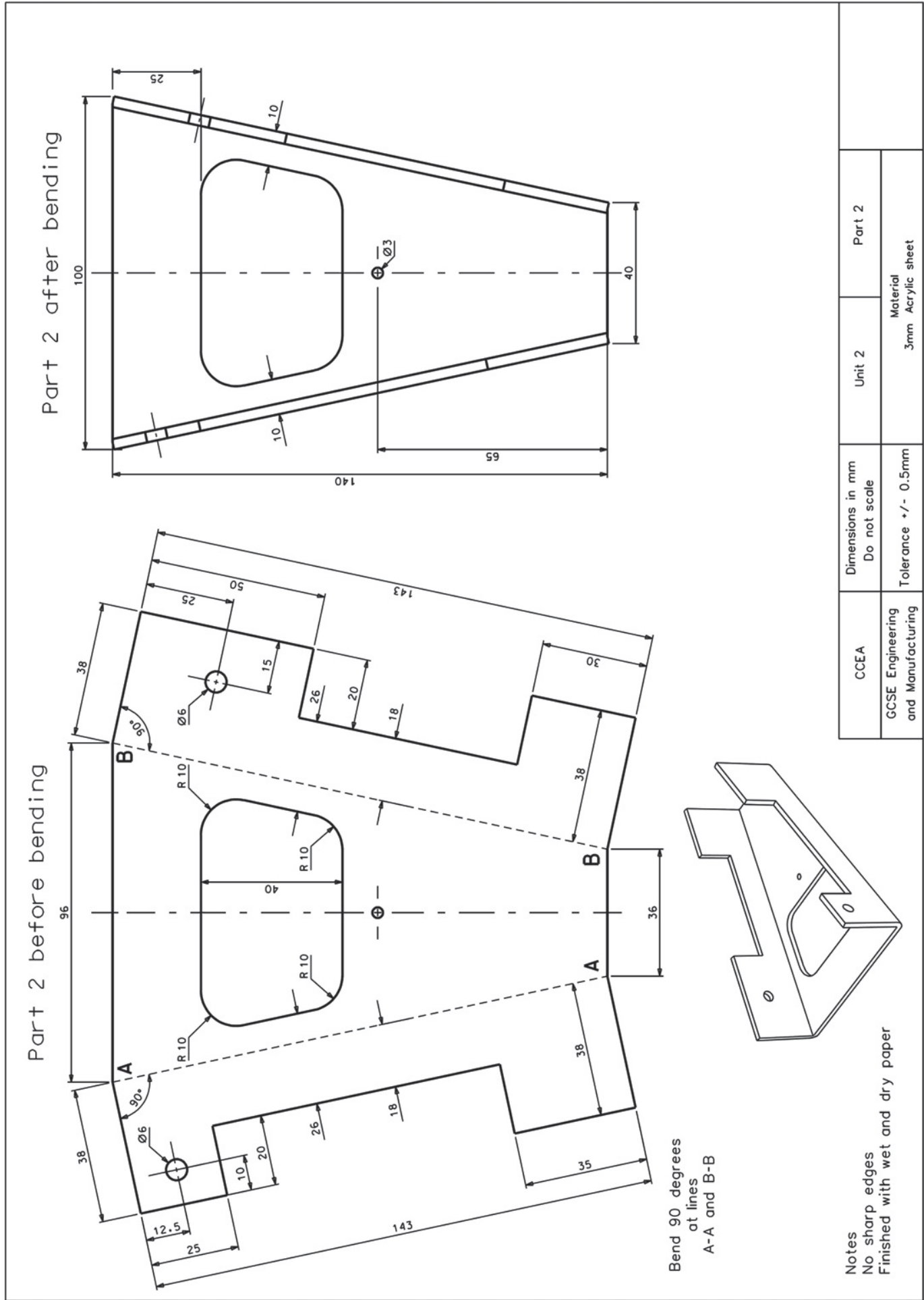
M5X0.8
Thread



Notes

- All parts cleaned
- Draw filed finish
- No sharp edges

CCEA	Dimensions in mm Do not scale	Unit 2	Part 1	Third angle projection
GCSE Engineering and Manufacturing	Tolerance +/- 0.5mm	75mm x 3mm	Material bright mild steel flat	



Permission to reproduce all copyright material has been applied for.
In some cases, efforts to contact copyright holders may have been unsuccessful and CCEA
will be happy to rectify any omissions of acknowledgement in future if notified.